



# Technical Specifications

## MOBOTIX p71

### Secure, Flexible and Powerful

The MOBOTIX p71 indoor camera impresses with its flexibility and wide range of applications. The viewing angle can be adjusted on three axes to any point in the room. With integrated audio capabilities and infrared LEDs, the camera can be used reliably day and night. The various apps for the MOBOTIX 7 platform make the p71 even more powerful, offering comprehensive automation solutions as well as video analysis functions, evaluations and much more. It is used in companies in all industries as well as in sensitive private areas.

- MOBOTIX 7 Platform with app support
- Flexible codec support: H.264, H.265, MxPEG+ and MJPEG
- ONVIF Profile G, S, T conformity guarantees utmost interoperability
- 4K UHD or 4MP ULL resolution
- Integrated Audio (Mic & Speaker)
- Integrated IR LED up to 30m
- Wide Dynamic Range (WDR) with up to 120 dB



# Technical Specifications

|   |   |
|---|---|
| Order Information .....                         | 2 |
| Hardware .....                                  | 2 |
| Image Formats, Frame Rates, Image Storage ..... | 5 |
| General Features .....                          | 6 |
| Video Analysis .....                            | 7 |
| Video Management Software .....                 | 7 |
| Model Variants .....                            | 7 |
| Dimensions .....                                | 9 |

## Order Information

|             |                               |
|-------------|-------------------------------|
| Name        | MOBOTIX p71                   |
| Order Code: | Mx-p71A-8DNxxx/Mx-p71A-4DNxxx |

---

## Hardware

|                              |   |
|------------------------------|---|
| Image sensor (DN)            | 4K UHD 3840x2160, 16:9, 1/1.8"  |
| Light sensitivity            | <ul style="list-style-type: none"><li>▪ Color sensor (day): 0,1 lx @ 1/60 s; 0,005 lx @ 1 s</li><li>▪ BW sensor (night): 0,02 lx @ 1/60 s; 0,001 lx @ 1 s</li></ul> |
| Exposure control             | Manual and automatic mode<br>1 s to 1/16,000 s  |
| Operating temperature range  | -10 to 50 °C/-14 to 122 °F  |
| Internal DVR, out of the box | MicroSD card (8 GB), MxPEG+ recording only  |

---

|                                   |   |
|-----------------------------------|---|
| Microphone/Speaker                | <p>Integrated Microphone:</p> <ul style="list-style-type: none"> <li>▪ Sensitivity: -35 dB +/-4 dB (0 dB = 1 V/pa, 1 kHz)</li> </ul> <p>Integrated Loudspeaker:</p> <ul style="list-style-type: none"> <li>▪ 0.9 W at 8 Ohm</li> </ul>                      |
| Integrated illumination           | IR up to 30 m/100 ft<br>(may be more depending on scene)  |
| Shock detector (tamper detection) | Yes   |
| Max. power consumption            | max. 25 W   |
| Electrical surge protection       | Available with MX-Overvoltage-Protection-Box (not part of the scope of delivery)  |
| PoE standard                      | PoE Plus (802.3at-2009)/Class 4 (Class 3 can be enabled via HW switch. <b>Note:</b> IR illumination requires Class 4)   |
| Interfaces                        | <ul style="list-style-type: none"> <li>▪ Ethernet 1000BaseT (RJ45 according to EIA/TIA-568B)</li> <li>▪ USB-C/USB2.0; High-Speed (<math>V_{out} = 5.1\text{ V}</math>, <math>I_{out} = 0.9\text{ A}</math>, <math>P_{out} = 4.5\text{ W}</math>)</li> </ul> |
| Mounting Options                  | Wall- or ceiling-mountable  |
| Dimensions (Ø x height)           | 164 x 104 mm  |
| Weight                            | Gross weight: 1.175 g   |
| Housing                           | Aluminum, PBT-30GF  |

## Technical Specifications

### MOBOTIX p71

---

|                                  |  |
|----------------------------------|--|
| Standard accessories             | 2 terminal blocks<br>1 mounting cable with sealing, 0.5 m/~2 in<br>2 silicone sealings for patch cable<br>1 Ethernet patch cable RJ45, 50 cm/19.7 in<br>1 Allen wrench 2.5 mm<br>1 p71 lens wrench orange<br>4 dowels 8 mm<br>4 stainless steel pan head-screws 4.5x60 mm<br>4 stainless steel washers Ø5.3 mm<br>1 Torx wrench TX 20<br>4 sealing plugs, white<br>1 Important Safety Information<br>1 Camera Connection Flyer |
| Detailed technical documentation | <a href="http://www.mobotix.com">www.mobotix.com</a> > <a href="#">Support</a> > <a href="#">Download Center</a> > <a href="#">Marketing &amp; Documentation</a>   |
| MTBF                             | 80,000 hours   |
| Certificates                     | EN 50121-4:2015, EN 50581:2012, EN 55032:2012+AC:2013, EN 55035:2017, FprEN 61000-6-1:2015, EN 61000-6-2:2015, EN 61000-6-3:2007+A1:2011+AC:2012, EN 61000-6-4:2007+A1:2011, EN 62368-1:2014 + AC: 2015 + A11: 2017 + AC: 2017, IEC 60950-22:2016, AS/NZS CISPR32:2015, 47 CFR Part 15b  |
| Protocols                        | DHCP (client and server), DNS, ICMP, IGMP v3, IPv4, IPv6, HTTP, HTTPS, FTP, FTPS, NFS, NTP (client and server), RTP, RTCP, RTSP, SFTP, SIP (client and server), SMB/CIFS, SNMP, SMTP, SSL/TLS 1.3, TCP, UDP, VLAN, VPN, Zero-conf/mDNS   |
| Manufacturer warranty            | 5 years  |

---

## Image Formats, Frame Rates, Image Storage

|                           |   |
|---------------------------|---|
| Available video codecs    | <ul style="list-style-type: none"> <li>▪ H.264, H.265</li> <li>▪ MxPEG+</li> <li>▪ MJPEG</li> </ul> |
| Image resolutions         | VGA 640x360, XGA 1024x576, HD 1280x720, FullHD 1920x1080, QHD 2560x1440, 4K UHD 3840x2160           |
| Multi streaming           | H.264, H.265 with triple streaming  |
| Multicast stream via RTSP | Yes   |
| Max. image resolution     | 4K UHD 3840x2160/4MP 2688x1512  |
| Max. frame rate (fps)     | MxPEG: 20@4k, H.264: 30@4k, H.265: 30@4k  |

## General Features

| Feature                        | Properties   |
|--------------------------------|--|
| WDR                            | Up to 120 dB   |
| Software features              | <ul style="list-style-type: none"> <li>▪ H.264, H.265 Multistreaming</li> <li>▪ Multicast stream via RTSP</li> <li>▪ Digital pan, tilt, zoom/vPTZ (up to 8x zoom)</li> <li>▪ Genetec protocol integration</li> <li>▪ Custom exposure zones</li> <li>▪ Snapshot recording (pre/post-alarm images)</li> <li>▪ Continuous recording</li> <li>▪ Event recording</li> <li>▪ Time-controlled flexible event logic</li> <li>▪ Weekly schedules for recordings and actions</li> <li>▪ Event video and image transfer via FTP and email</li> <li>▪ Playback and QuadView via web browser</li> <li>▪ Animated logos on the image</li> <li>▪ Master/Slave functionality</li> <li>▪ Privacy zone scheduling</li> <li>▪ Remote alarm notification (network message)</li> <li>▪ Programming interface (HTTP-API)</li> <li>▪ MOBOTIX MessageSystem</li> </ul> |
| ONVIF compatibility            | Profile G, S, T  |
| Master/Slave functionality     | Yes  |
| Remote alarm notification      | email, network message (HTTP/HTTPS), SNMP, MxMessageSystem   |
| DVR / image storage management | <ul style="list-style-type: none"> <li>▪ MxPEG+ only</li> <li>▪ Internal microSD card (SDHC/SDXC), 8 GB out of the box</li> <li>▪ On external USB and NAS devices,</li> <li>▪ Different streams for live image and recording</li> <li>▪ MxFFS with buffered archive, pre- and post-alarm images, storage monitoring with error reporting</li> </ul>  |
| Camera and data security       | User and group management , SSL connections, IP-based access control, IEEE 802.1X, intrusion detection, digital image signature  |

## Video Analysis

|                        |  |
|------------------------|--|
| Video motion detection | Yes  |
| MxActivitySensor       | Version 1.0, 2.1 and object-based MxAnalytics AI |
| MxAnalytics            | Heatmap, people counting & object-based counting |
| MOBOTIX App support    | Yes  |

## Video Management Software

| Feature            | Properties   |
|--------------------|--|
| MOBOTIX HUB        | Yes<br><a href="http://www.mobotix.com">www.mobotix.com</a> > Support > Download Center > Software Downloads                       |
| MxManagementCenter | Yes (MxMC 2.2 and higher)<br><a href="http://www.mobotix.com">www.mobotix.com</a> > Support > Download Center > Software Downloads |
| MOBOTIX LIVE App   | Yes<br>Available in Android and iOS App Stores.  |

## Model Variants

| Order Code                         | Horizontal Angle of View |
|------------------------------------|--------------------------|
| <b>4K Image Sensor (3840x2160)</b> |                          |
| Mx-p71A-8DN040                     | 120°                     |
| Mx-p71A-8DN050                     | 95°                      |
| Mx-p71A-8DN080                     | 60°                      |
| Mx-p71A-8DN100                     | 45°                      |
| Mx-p71A-8DN150                     | 30°                      |
| Mx-p71A-8DN280                     | 15°                      |

## Technical Specifications

### MOBOTIX p71

---

| Order Code | Horizontal Angle of View |
|------------|--------------------------|
|------------|--------------------------|

|                                     |  |
|-------------------------------------|--|
| <b>4MP Image Sensor (2688x1512)</b> |  |
|-------------------------------------|--|

|                |      |
|----------------|------|
| Mx-p71A-4DN040 | 120° |
|----------------|------|

|                |     |
|----------------|-----|
| Mx-p71A-4DN050 | 95° |
|----------------|-----|

|                |     |
|----------------|-----|
| Mx-p71A-4DN080 | 60° |
|----------------|-----|

|                |     |
|----------------|-----|
| Mx-p71A-4DN100 | 45° |
|----------------|-----|

|                |     |
|----------------|-----|
| Mx-p71A-4DN150 | 30° |
|----------------|-----|

|                |     |
|----------------|-----|
| Mx-p71A-4DN280 | 15° |
|----------------|-----|

---

For a complete list of lenses for MOBOTIX cameras, please see the Lens Table document for MOBOTIX 7 models on [www.mobotix.com](http://www.mobotix.com) > [Support](#) > [Download Center](#) > [Marketing & Documentation](#) > [Lens Table](#).



# Dimensions

**NOTE!** Download the drilling template from the section or on the MOBOTIX website: [www.mobotix.com](http://www.mobotix.com) > Support > Download Center > Marketing & Documentation > Drilling Templates.

**CAUTION!** Always print or copy the drilling template at 100% of the original size!

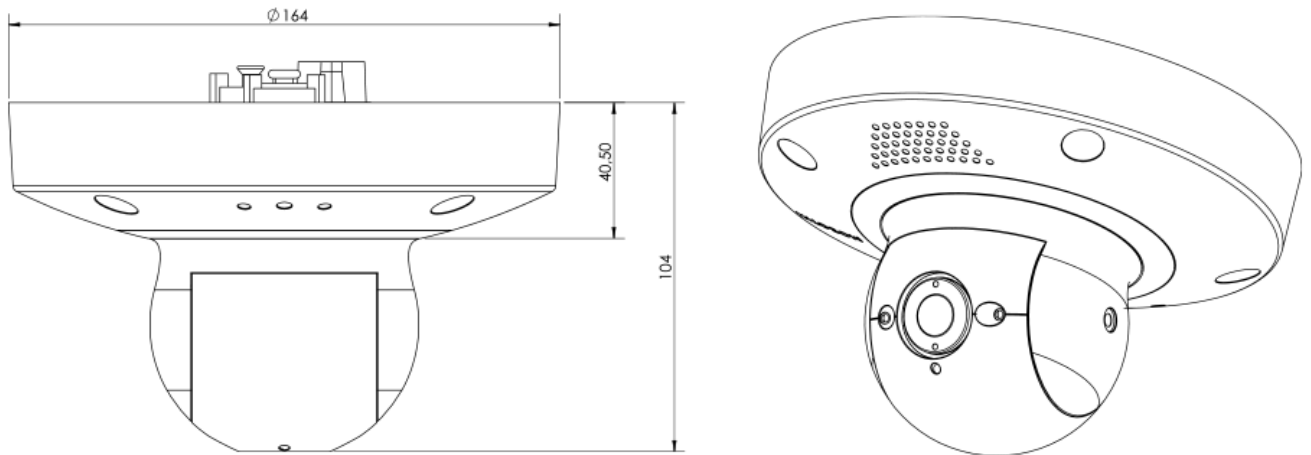


Fig. 1: MOBOTIX p71: All measurements in mm

# MOBOTIX

BeyondHumanVision

[EN\\_02/23](#)

MOBOTIX AG • Kaiserstrasse • D-67722 Langmeil • Tel.: +49 6302 9816-103 • [sales@mobotix.com](mailto:sales@mobotix.com) • [www.mobotix.com](http://www.mobotix.com)

MOBOTIX is a trademark of MOBOTIX AG registered in the European Union, the U.S.A., and in other countries. Subject to change without notice. MOBOTIX do not assume any liability for technical or editorial errors or omissions contained herein. All rights reserved. © MOBOTIX AG 2021